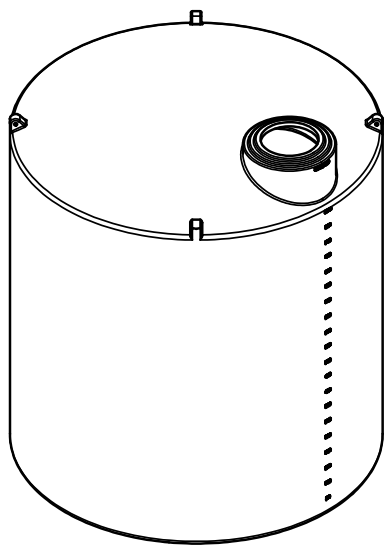
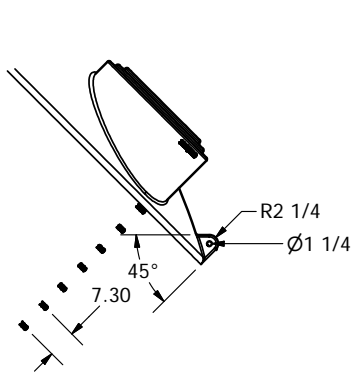



DETAIL A  
SCALE 1 / 16



DRAWN Jerry Paulson	4/6/2012			
CHECKED		NORWESCO, INC. SAINT BONIFACIUS, MN		
QA		TITLE		
MFG		11,000 GALLON VERTICAL TANK X 144 DIAMETER		
APPROVED				
		SIZE B	DWG NO	REV
		SCALE: 1/32		SHEET 1 OF 1