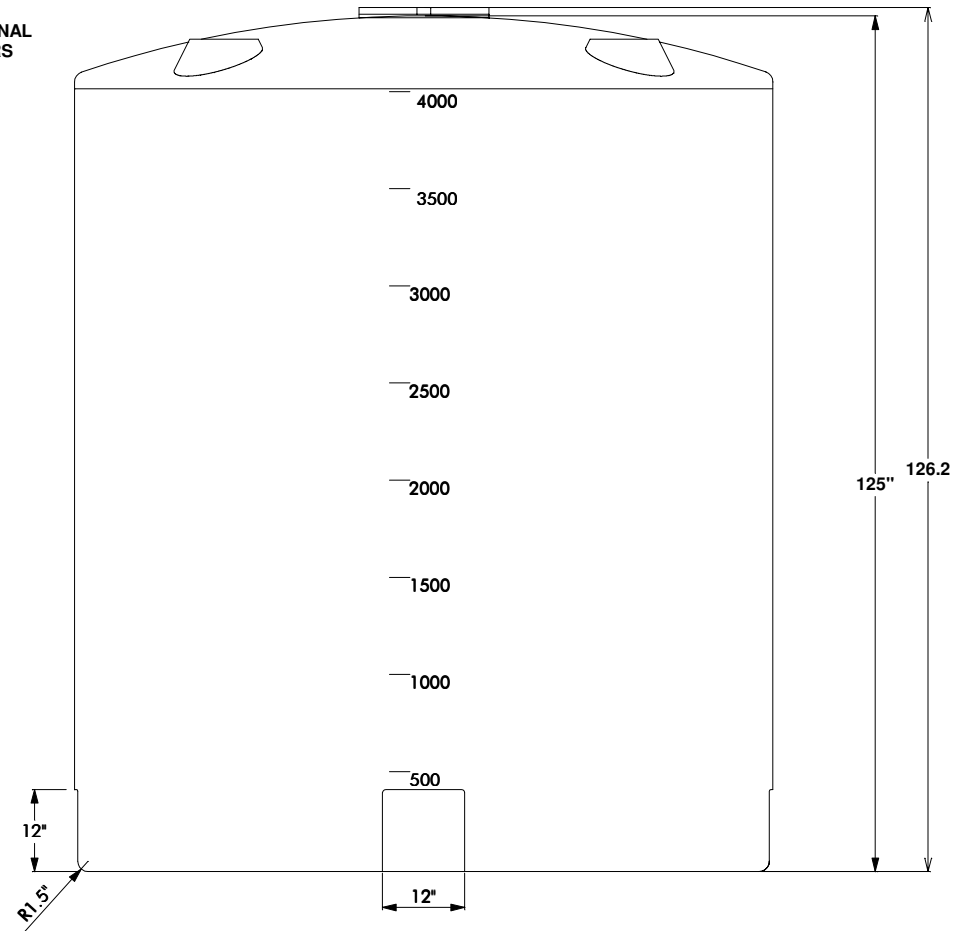
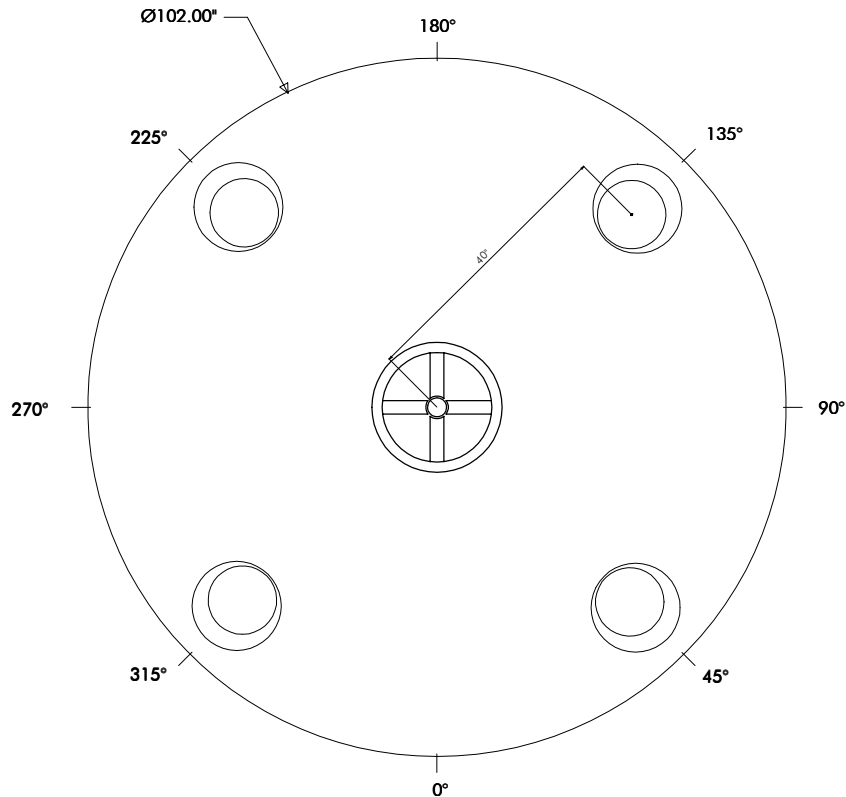


**VTB4000-102**

NSF 61 RESIN  
 UV15 RATED  
 1.9 SPECIFIC GRAVITY STANDARD  
 ATMOSPHERIC PREASURE ONLY  
 THREADED OR FLANGED FITTINGS AVAILABLE  
 16" VENTED LID STANDARD  
 22" LID AVAILABLE  
 LID LOCATION OPTIONAL  
 AVAILABLE IN COLORS



				DRAWN BY / DATE DHALL / 4-2-19		MATERIAL / SHOT WEIGHT HDPE 850 LBS.		<b>BAILIFF ENTERPRISES, INC.</b> 302 North Thomason Road Willis, Texas 77378 Phone 936.890.7777 Fax 936.890-7773	
				APPROVED BY / DATE		NOTES:		CLIENT/DESCRIPTION <b>4,000 GALLON VERTICAL TANK</b>	
All dimensions are in decimal inches Tolerances unless otherwise specified +/- .5% at 68° F.				THIRD ANGLE PROJECTION ANSI 14.5M				SCALE N.S.	
REV	DESCRIPTION	DATE	APPRD						

