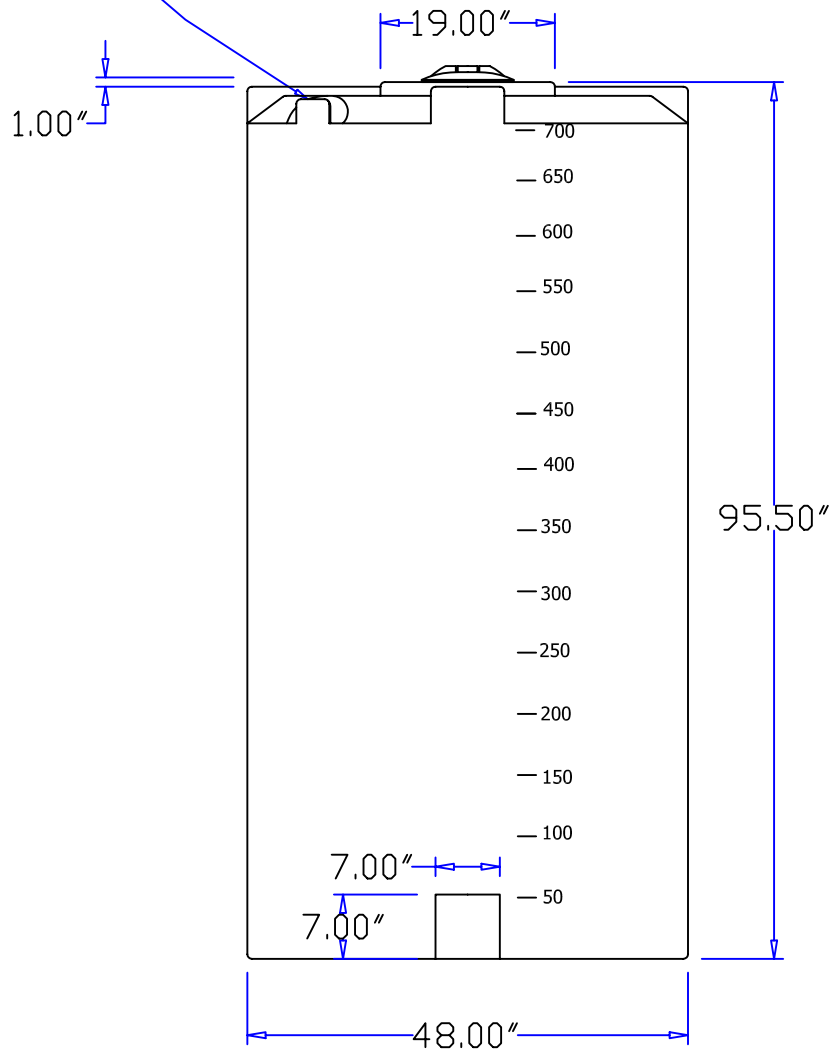
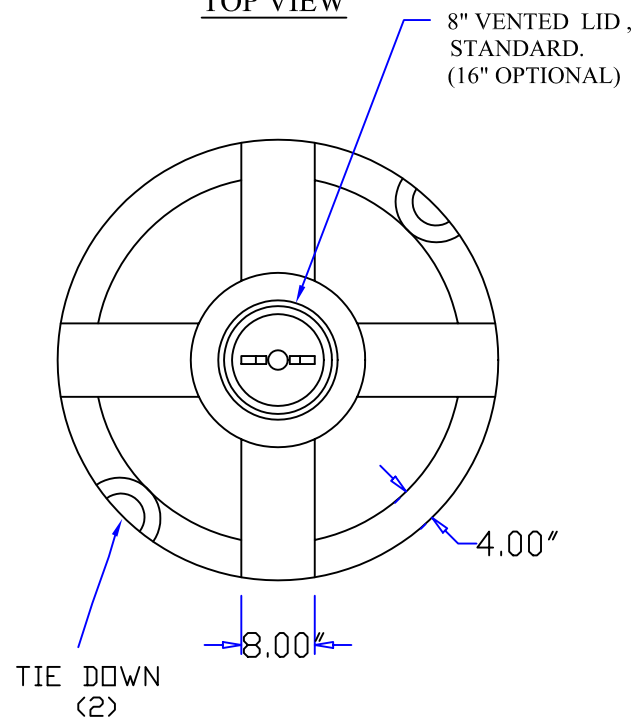


NEW\* EASY  
TO HANDLE  
TIE DOWNS.

SIDE VIEW



TOP VIEW



NOTE: CALIBRATED IN GALLONS

|  |             |      |       |  |  |                          |          |   |  |
|--|-------------|------|-------|--|--|--------------------------|----------|---|--|
|  |             |      |       | DRAWN / DATE<br>MSYKES/6/11/03           |  | MATERIAL / SHOT WEIGHT   |          | <b>BAILIFF ENTERPRISES, INC.</b><br>8423 AIRLINE DRIVE, HOUSTON, TEXAS 77037<br>PHONE (281) 447-5372 FAX (281) 999-1223 |  |
|  |             |      |       | APPRD. / DATE                            |  | HDPE 160/180 LBS.        |          |   |  |
| REV  | DESCRIPTION | DATE | APPRD | THIRD ANGLE PROJECTION<br>ANSI 14.5M<br> |  | CLIENT / DESCRIPTION     |          |   |  |
| ALL DIMENSIONS ARE IN DECIMAL INCHES<br>TOLERANCES UNLESS OTHERWISE SPECIFIED<br>$\pm .5\% @ 68^{\circ} F$ |             |      |       |  |  | 700 GALLON VERTICAL TANK |          |   |  |
|  |             |      |       |  |  | SCALE                    | PART NO. |   |  |
|  |             |      |       |  |  | N.S.                     |          | VTB0700-48  |  |